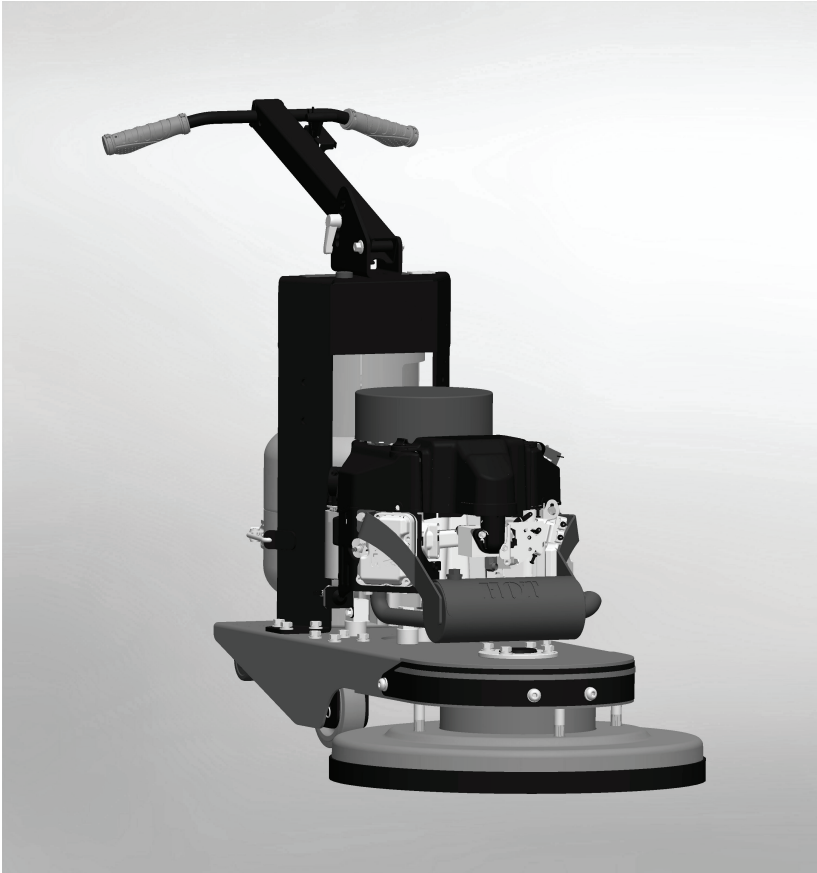


ONYX

DESIGNED TO SHINE 

X-Series Propane Floor Machine Illustrated Parts List



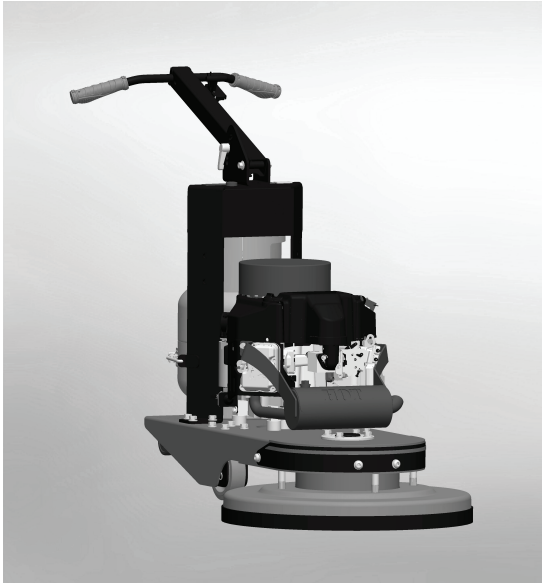
Patent Pending

Parts & Service:

Online: www.OnyxSolutions.com
Email: onyxsales@golehr.com
Call: 704-827-9368

W10529_Rev K (not released)
20180726 SJA

Propane Burnisher Illustrated Parts List

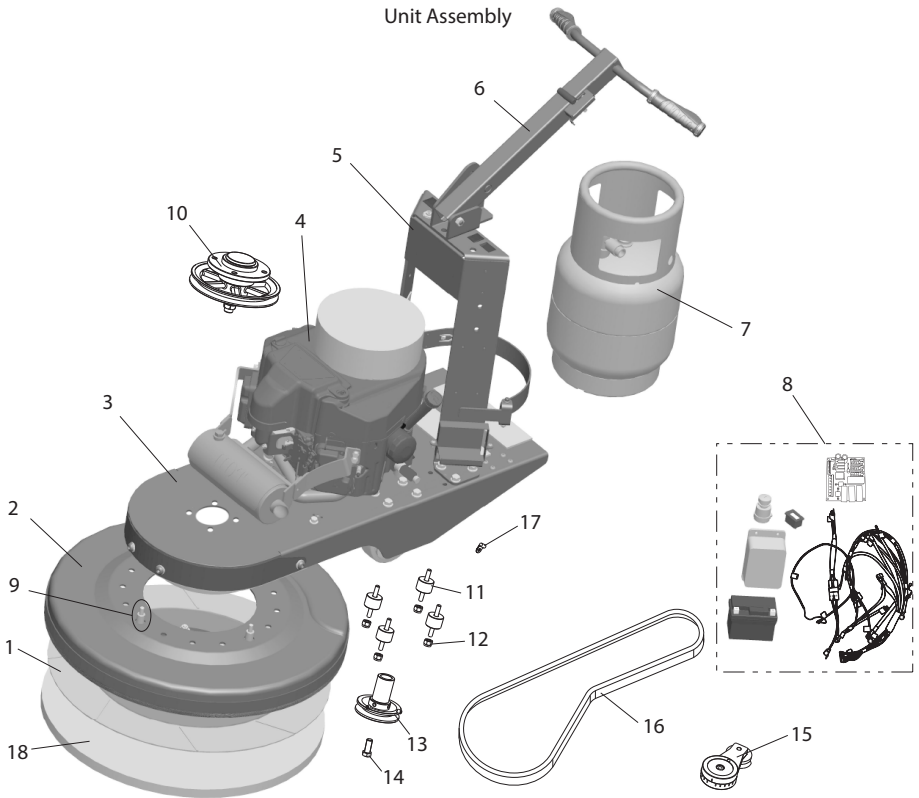


Patent Pending

Table of Contents:

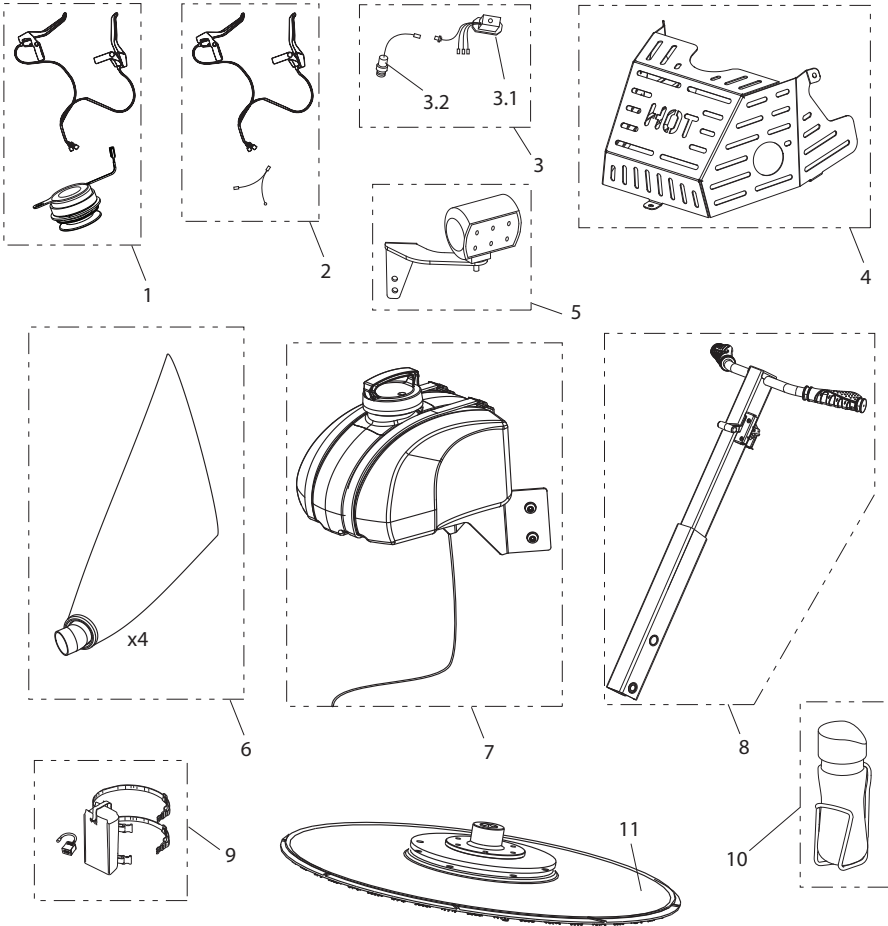
Unit Assembly	2
Optional Upgrades	3
Engine Assembly	4
Deck Assembly	6
Tensioner Assembly	7
Engine Pulley Assembly	7
Front End Assembly	8
Pad Driver Assembly	9
Shroud Assembly	10
Shroud Bolt & Spring Asm.	10
Bottle Carrier Assembly	11
Tee Handle Assembly	12
Electrical Components	13
Clutch System	14
Operator Presence System	14
Metal Pad Driver Assembly	15
Service Part List	16

Unit Assembly



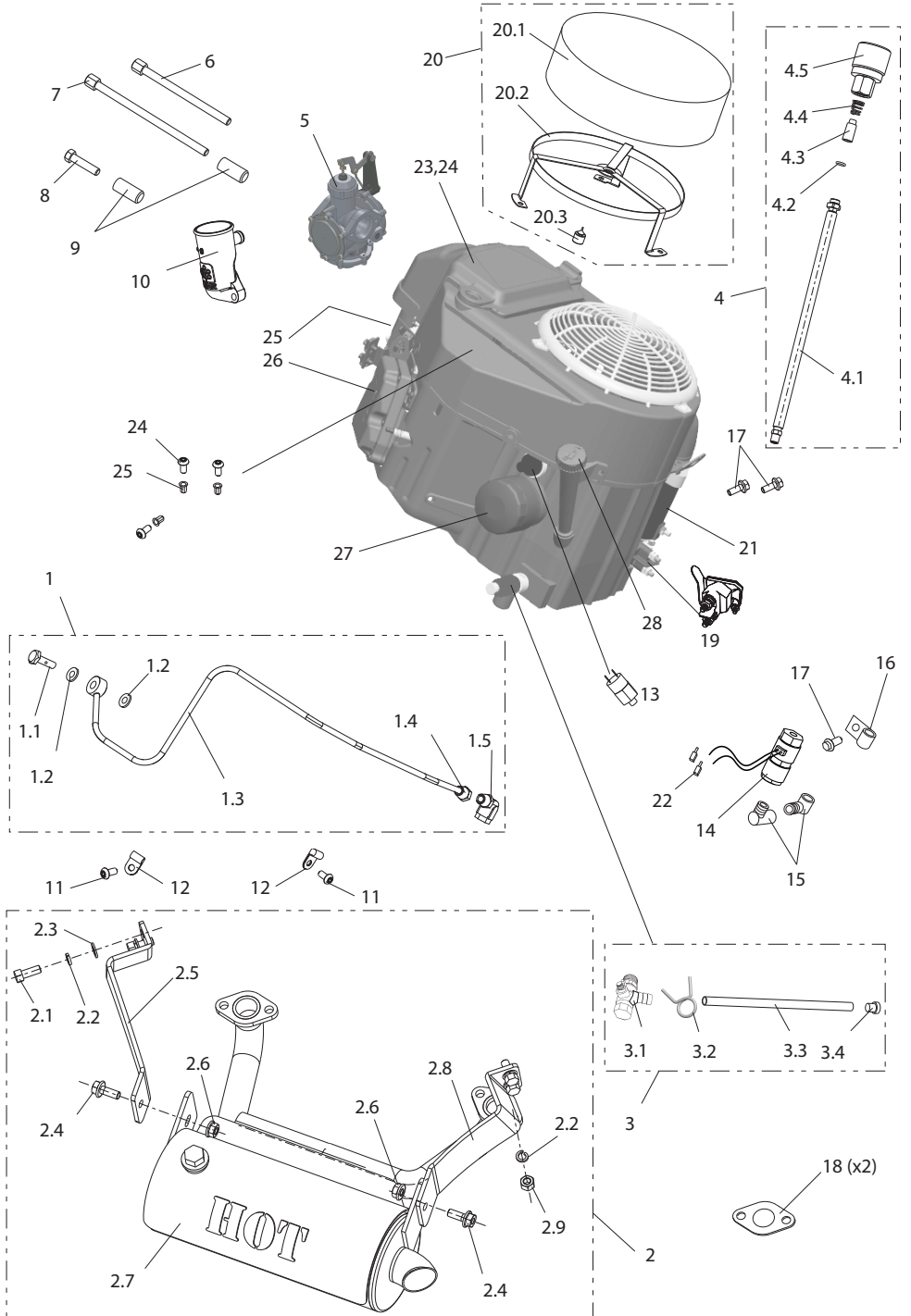
Item	Part No.	Description	Qty
1	W10666	Pad Driver Asm - 27" w/ Hex Hub, Bolt-Lock	1
	W10667	Pad Driver Asm - 24" w/ Hex Hub, Bolt-Lock	
	W10668	Pad Driver Asm - 21" w/ Hex Hub, Bolt-Lock	
2	W10518	Shroud Asm - 27"	1
	W10522	Shroud Asm - 24"	
	W10521	Shroud Asm - 21"	
3	W10519	Deck Asm	1
4	W3132-2	Engine Asm	1
5	W10363	Bottle Carrier Asm	1
6	W10364	Tee Handle Asm	1
7	W2502	Propane Cylinder - 20 lb, RH Thread	1
8	W10520	Electrical Components	1
9	W10598	Shroud Bolt & Spring Assembly	4
10	W10658	Front End Asm	1
11	W10366	Vibration Isolating Spacer - 3/8-16 x M10	4
12	W10367	Nylock Nut - M10, Zinc	4
13	W10368	Engine Pulley Asm	1
14	F17159	Bolt - HCS 7/16-20 X 1.5 Z5	1
15	W10517	Rotary Tensioner Assembly	1
16	WBX51	51" Cogged Belt	1
17	F0216763	1/4" P Clamp EDPM Cushion (Secures Throttle Cable)	1
18	ON40230	27" General Purpose Burnishing Pad	1
	ON40224	24" General Purpose Burnishing Pad	
	ON40221	21" General Purpose Burnishing Pad	

Optional Upgrades



Item	Part No.	Description	Qty
1	W10516	Clutch System	1
2	W10527	Operator Presence System	1
3	W10515	High Emissions Monitoring System	1
3.1	W0091A	Emissions Monitor	1
3.2	W2803	O2 Oxygen Sensor	1
4	W10543	Muffer Heat Shield Assembly	1
5	W10544	Headlight Assembly	1
6	W10549	Dust Bag - 4 Pack	1
7	W10523	5 Gal Water System	1
8	W10536	Telescoping Handle System	1
9	W10545	USB Charging Port & Phone Holster	1
10	W10546	Drink Bottle & Holder	1
11	W10669	27" Metal Pad Driver ASM - Hex Stock Hub, bolt lock	1

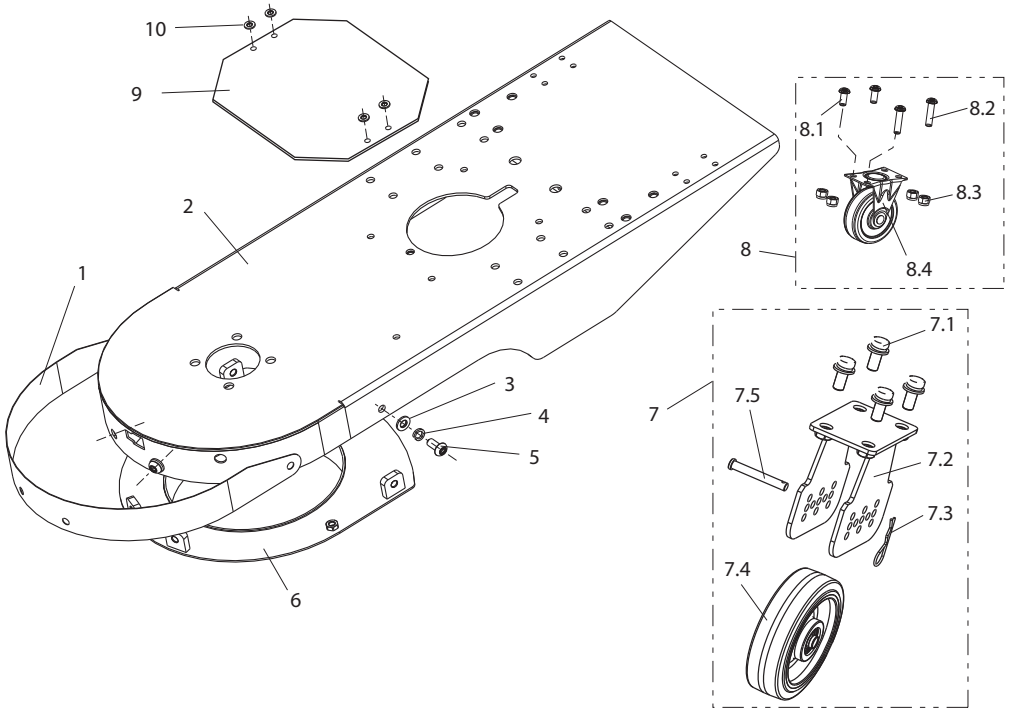
Engine Assembly



Engine Assembly

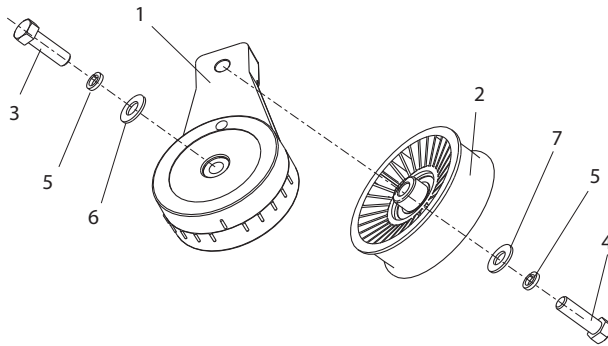
Item	Part No.	Description	Qty
1	PT-10299	Fuel Line Assembly	1
1.1	PT-10301	Banjo Bolt - M10 x 20mm L	1
1.2	PT-10302	Washer - Rubber Coated	2
1.3	PT-10230	Fuel Line - 1/4 Stainless Solid Tubing	1
1.4	PT-10324	Flare Nut - 1/4 Tubing, 45 Deg Flare, Short	1
1.5	PT-10322	Elbow - 1/4 Male Flare x 1/4 Female NPT	1
2	W10388	Muffler Assembly	1
2.1	W10389	Bolt - Hex Cap Screw, M8x20, Zinc	4
2.2	W10390	Split Lock Washer - M8, Zinc	8
2.3	W10387	Flat Washer - M8, Zinc	4
2.4	W10391	Hex Flanged Bolt - M8x20, Zinc	2
2.5	W10392	Muffler Support Bracket - Cylinder 1	1
2.6	W10393	Hex Flanged Nut - M8, Zinc	2
2.7	W10394	Catalyst Muffler w/ Manifold	1
2.8	W10395	Muffler Support Bracket - Cylinder 2	1
2.9	W10396	Hex Nut - M8, Zinc	4
3	W10397	Oil Drain Assembly	1
3.1	W10398	Oil Drain Valve	1
3.2	W10399	Spring Wire Clamp - 10mm, Zinc	1
3.3	W10400	Oil Drain Hose	1
3.4	W10401	Cap - Oil Drain Hose	1
4	W10402	High Pressure Hose Assembly - 12 in	1
4.1	W10403	High Pressure Hose - 12 in	1
4.2	W10404	O-ring - 7.5mm ID x 1.8mm	1
4.3	W10405	Inline Propane Filter - 10 Micron	1
4.4	W10406	Spring - Propane Filter	1
4.5	W10407	Rego Fitting - RH Thread	1
5	PT-10229	Carb/Regulator - 603 Body, Spring, Linkage	1
6	PT-F0141717	Socket Cap Screw - M6-1.0 x 100mm, 12.9 Zinc	1
7	PT-F0141719	Socket Cap Screw - M6-1.0 x 120mm, 12.9 Zinc	1
8	PT-F0161815	Hex Flanged Bolt - M6-1.0 x 35mm, 8.8 Zinc	1
9	PT-10233	Spacer - 1/4 ID x 1/2 OD x 7/8 L	2
10	PT-10231	Air Intake Elbow	1
11	PT-F0161812	Hex Flanged Bolt - M6 x 20 DIN6921 Z	2
12	PT-F0708753	P Clamp - 1/4 Vinyl Cushion 0.281 Hole Dia	2
13	PT-W1325	Oil Pressure Switch	1
14	PT-W2609	Lockoff - 12V Solenoid	1
15	PT-F69881	Elbow - 1/4 MNPT x 1/4 FNPT, 90 Deg	2
16	F0708773	P Clamp - 5/8" Vinyl Cushion, 0.406" Hole	1
17	PT-F0161821	Hex Flanged Bolt - M8-1.25 x 16mm	3
18	K11060-7016	EXHAUST GASKET 603CC 18HP	2
19	PT-W1305	Starter Solenoid - 12V	1
20	W10586	Bonnet Filter Assembly	1
20.1	W10409	Bonnet Filter	1
20.2	W10410	Support Bracket - Bonnet Filter	1
20.3	W10411	Bumper - Bonnet Filter Bracket	1
21	K21163-0749	12V Starter - FS481V (603CC)	1
22	PT-F60079	Spade Disconnect - Female 16-14 .250 X .032	2
23	K11013-0752	Air Filter - FS481V (603CC)	1
24	K11011-0787	Cover - Air Filter, FS481V (603CC)	1
25	K11008-7050A	Cylinder Head Kit #1 (Operator Right) FS481V 603CC	1
26	K11008-7051A	Cylinder Head Kit #2 (Operator Left) FS481V 603CC	1
27	K49065-7007	Oil Filter - FS481V (603CC)	1
28	K14075-0037	Oil Dipstick - FS481V (603CC)	1

Deck Assembly



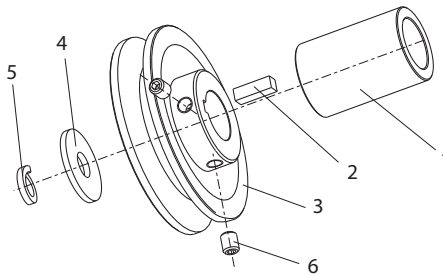
Item	Part No.	Description	Qty
1	W10369	Front Cover	1
2	W10370	Deck	1
3	W10371	Flat Washer - M12, Zinc	4
4	W10372	Split Lock Washer - M12, Zinc	4
5	W10373	Bolt - BHSCS, M12x25, Zinc, 8.8	4
6	W10374	Deck Underside Cover	1
7	W10375	Wheel Assembly	2
7.1	W10376	Bolt - HHCS Combo, M12x35, Zinc, 8.8	4
7.2	W10377	Wheel Bracket	1
7.3	W10378	Hairpin - 57mm Length	1
7.4	W10379	Wheel - 6", Rubber, Smooth, Incl Bearings	1
7.5	W10380	Wheel Axle	1
8	W10381	Rear Caster Assembly	2
8.1	W10382	Bolt - BHSCS, M8x20, Zinc, 8.8	2
8.2	W10383	Bolt - BHSCS, M8x25, Zinc, 8.8	2
8.3	W10384	Nylock Nut - M8, Zinc	4
8.4	W10385	Rear Caster - 3 in.	1
9	W10386	Pad - Propane Tank Bottom Support	1
10	W10387	Flat Washer - M8, Zinc	4

Tensioner Assembly



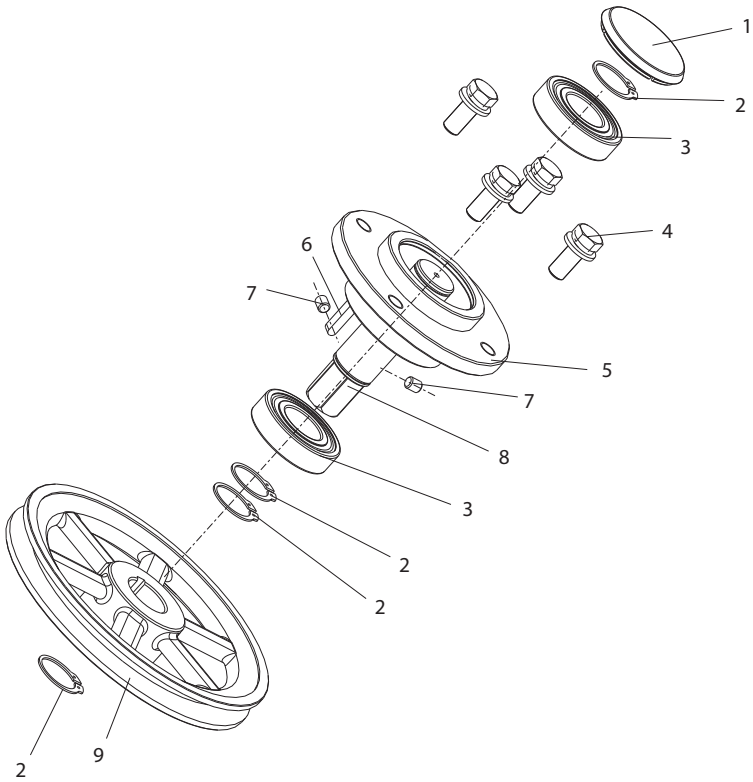
Item	Part No.	Description	Qty
1	W1101	Rotary Tensioner Arm	1
2	W1184	Pulley for Rotary Tensioner w/ 0.51" shoulder	1
3	F13107	Bolt - HCS, 3/8-16 x 1-1/4, Zinc	1
4	F13110	Bolt - HCS, 3/8-16 x 1 3/4 Grade 5 Zinc	1
5	F33622	Medium Split Lock Washer 3/8 Zinc	2
6	F33008	USS Flat Washer 3/8 I.D. Zinc	1
7	F1133082	SAE Flat Washer - 3/8" x 0.812" OD Zinc	1

Engine Pulley Assembly



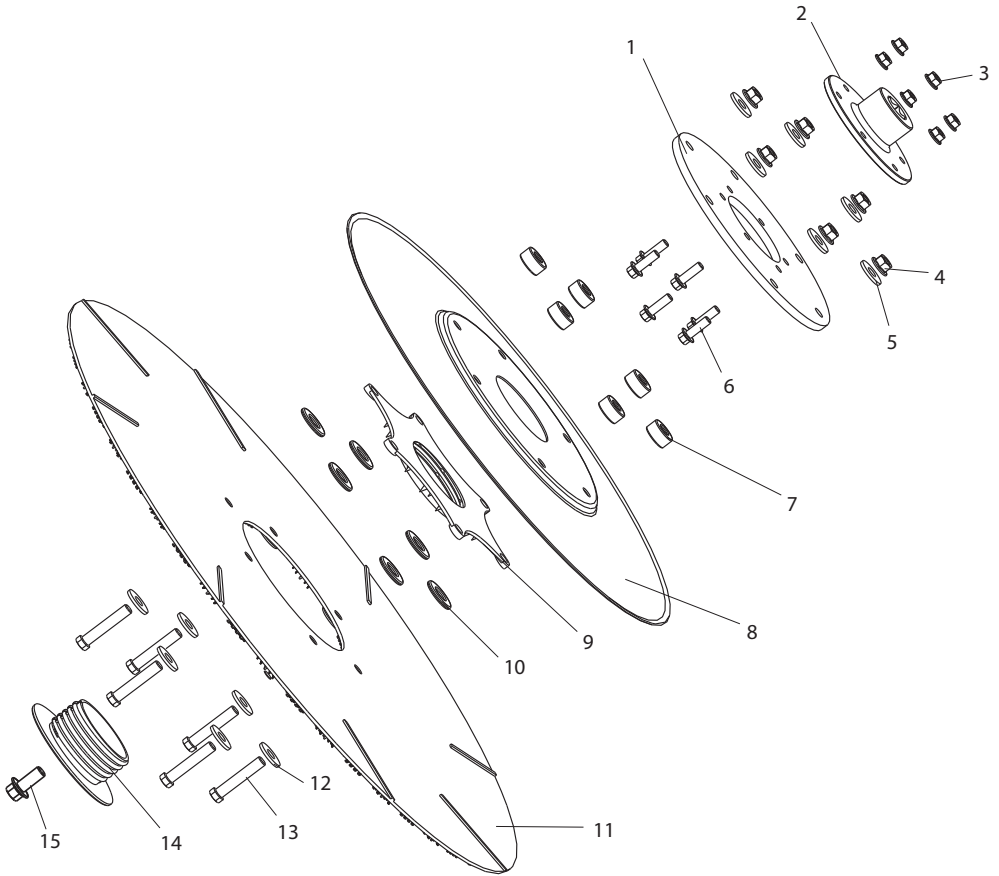
Item	Part No.	Description	Qty
1	W10412	Crankshaft Sleeve	1
2	W10413	Key - 1/4 x 1/4 x 20mm	1
3	W10414	Engine Pulley - 4 in.	1
4	W10415	Flat Washer - M13, Zinc	1
5	W10372	Split Lock Washer - M12, Zinc	1
6	W10416	Set Screw - M6x12	2

Front End Assembly



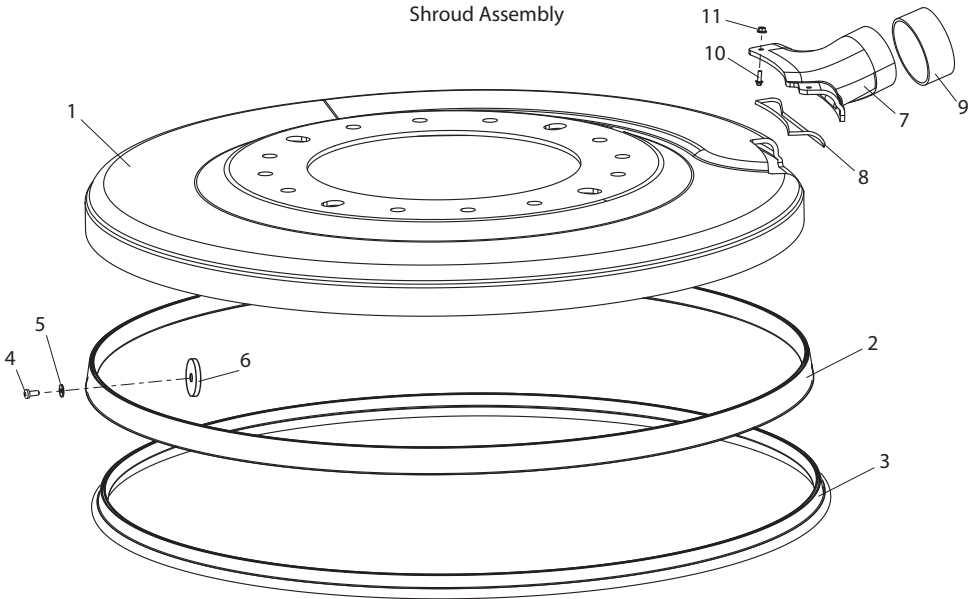
Item	Part No.	Description	Qty
1	W10417	Bearing Cover	1
2	W10418	External Shaft Circlip - 30mm	4
3	W10419	Bearing - 6206-2RZ, 30x62x16 mm	2
4	W10420	Bolt - HHCS Combo, M12x30, Zinc, 8.8	4
5	W10421	Bearing Housing	1
6	W10422	Key - 1/4 x 1/4 x 28mm	1
7	W10416	Set Screw - M6x12	2
8	W10657	Shaft - Front End, Hex Drive, Bolt-Lock	1
9	W10424	Pulley - 7.9 in	1

Pad Driver Assembly



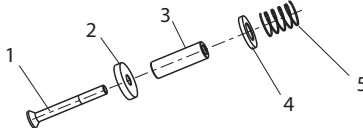
Item	Part No.	Description	Qty
1	W10425	Flex Plate	1
2	W10655	Shaft Coupler Hub - Hex Hole, Bolt Lock	1
3	W10384	Nylock Nut - M8, Zinc	6
4	W10367	Nylock Nut - M10, Zinc	6
5	W10427	Flat Washer - M10, Zinc	6
6	W10428	Hex Flanged Bolt - M8x25, Zinc	6
7	W10429	Spacer - Flex Plate	6
8	W10430	Pad Riser - Steel	1
9	W10431	Pad Holder - Female Housing	1
10	W10432	Flat Washer - M10 x 30 x 1.5 mm	6
11	W10433	Pad Gripper Surface - 27"	1
	W10434	Pad Gripper Surface - 24"	
	W10435	Pad Gripper Surface - 21"	
12	W10427	Flat Washer - M10, Zinc	6
13	W10436	Bolt - HHCS M10x55, Short Head, Zinc, Gr 8.8	6
14	W10437	Pad Holder - Male Threaded Flange	1
15	W10656	Bolt - HHCS Combo, M12x25, Zinc, 8.8	1

Shroud Assembly



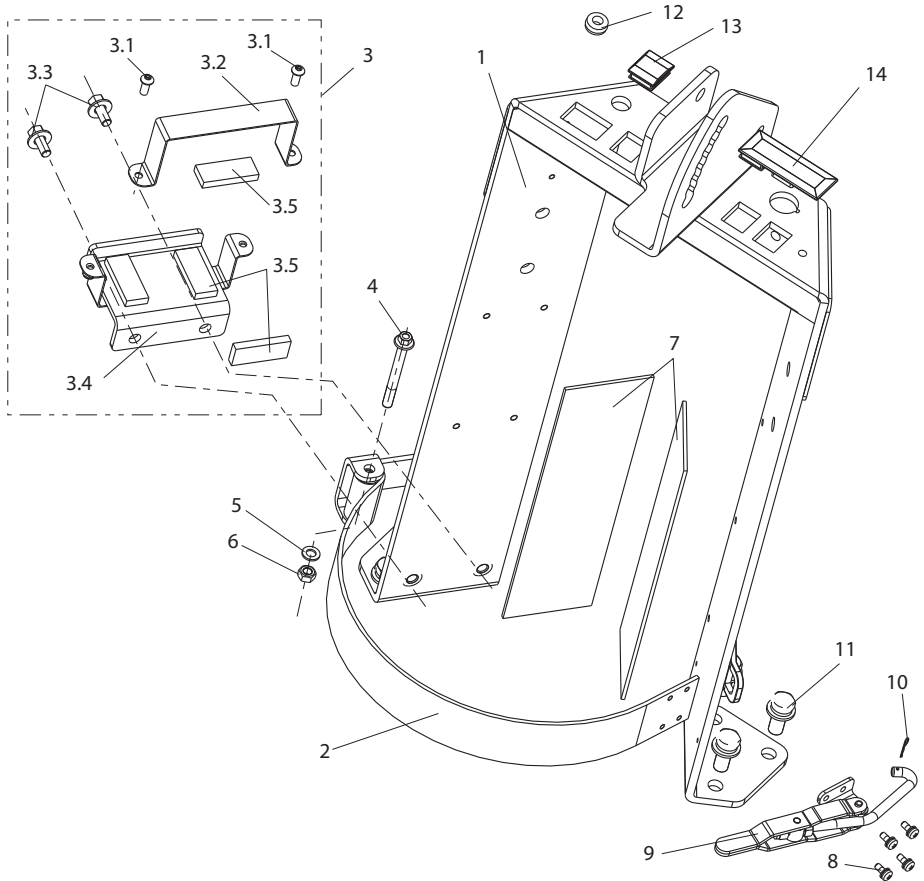
Item	Part No.	Description	Qty
1	W10442	Shroud - 27"	
	W10443	Shroud - 24"	1
	W10444	Shroud - 21"	
2	W10599	Seal Holder - H Channel, cut to fit	1
3	W10547	Kerf Dust Seal - 96 in. length, cut to fit	1
4	W10446	Machine Screw - PPH M4x16	6
5	W10447	Flat Washer - M4x12	6
6	W10448	Flat Washer with M4 Threaded Hole	6
7	W10538	Dust Chute - 27&24 in. Compatible	1
	W10594	Dust Chute - 21 in. Compatible	
8	W10597	Foam Gasket - Dust Chute	1
9	W10539	Cap - Dust Chute	1
10	W10595	Flange Bolt - M6x16 Zinc	4
11	W10596	Nylock Nut - M6, Zinc	4

Shroud Bolt & Spring Assembly



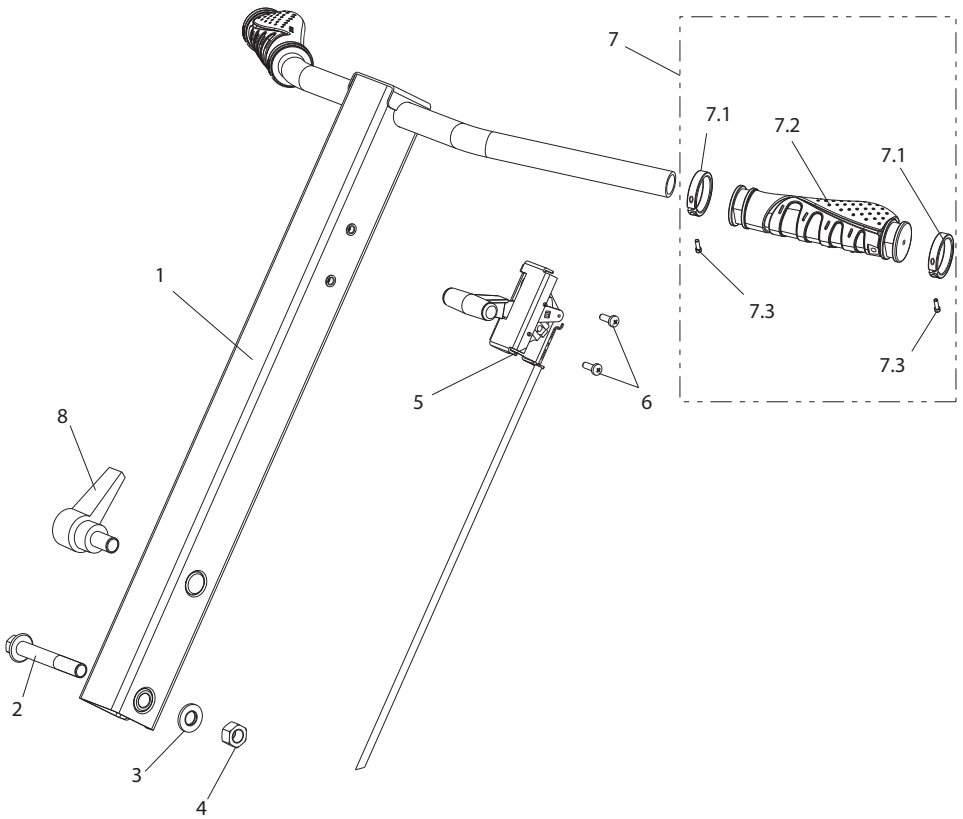
Item	Part No.	Description	Qty
1	W10451	FHCS Bolt - M10x75, Zinc, Grade 8.8	1
2	W10450	Washer - Countersunk Hole	1
3	W10449	Sleeve Spacer	1
4	W10453	Flat Washer - 19.5 ID x 30 OD x 2 mm	1
5	W10452	Compression Spring	1

Bottle Carrier Assembly



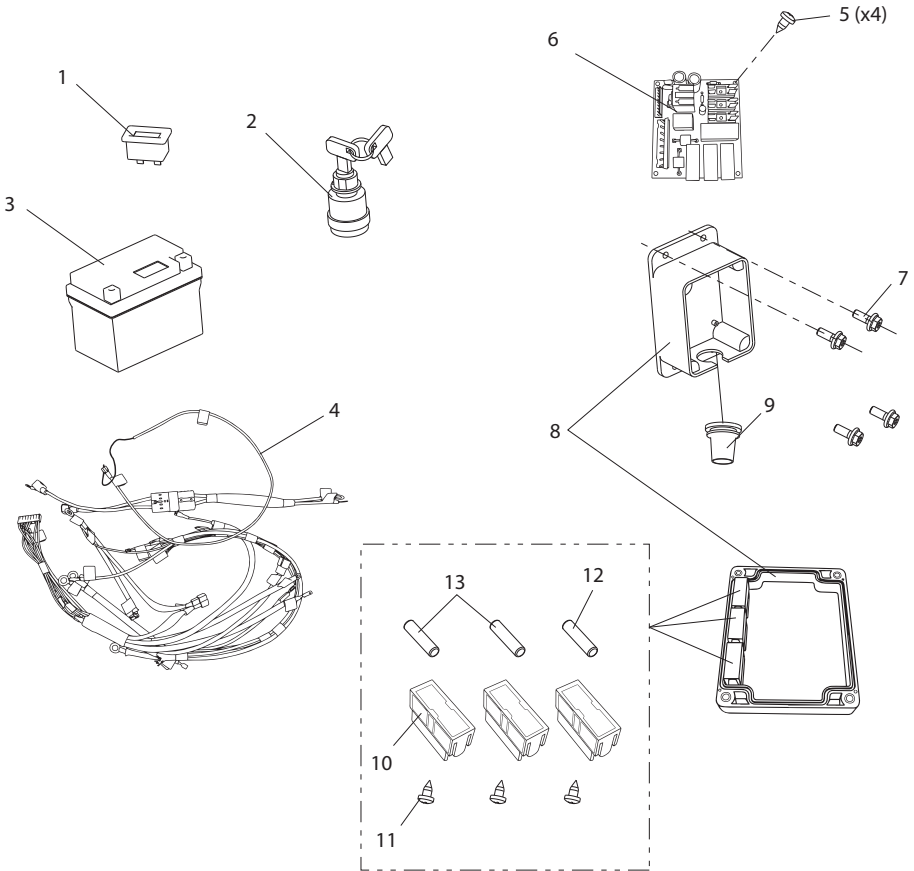
Item	Part No.	Description	Qty
1	W10454	Bottle Carrier	1
2	W10455	Tank Strap	1
3	W10456	Battery Box Assembly	1
3.1	W10457	Bolt - BHSCS, M6x16, Zinc, 8.8	2
3.2	W10458	Battery Clamp - Top	1
3.3	W10459	Bolt - HHCS Combo, M10x25, Zinc, 8.8	2
3.4	W10460	Battery Support Bracket	1
3.5	W10461	Foam - 50x20x7 mm	4
4	W10462	Hex Flanged Bolt - M8x75	1
5	W10387	Flat Washer - M8, Zinc	1
6	W10384	Nylock Nut - M8, Zinc	1
7	W10463	Foam - 280x80x5 mm	2
8	W10464	Machine Screw - PPH M5x10, Zinc	4
9	W10465	Clamp Mechanism	1
10	W10466	Hairpin	1
11	W10376	Bolt - HHCS Combo, M12x35, Zinc, 8.8	6
12	W10467	Rubber Grommet - 16.5 mm hole	1
13	W10468	Hole Plug - Water Controls	1
14	W10469	Hole Plug - Head Light Switch	1

Tee Handle Assembly



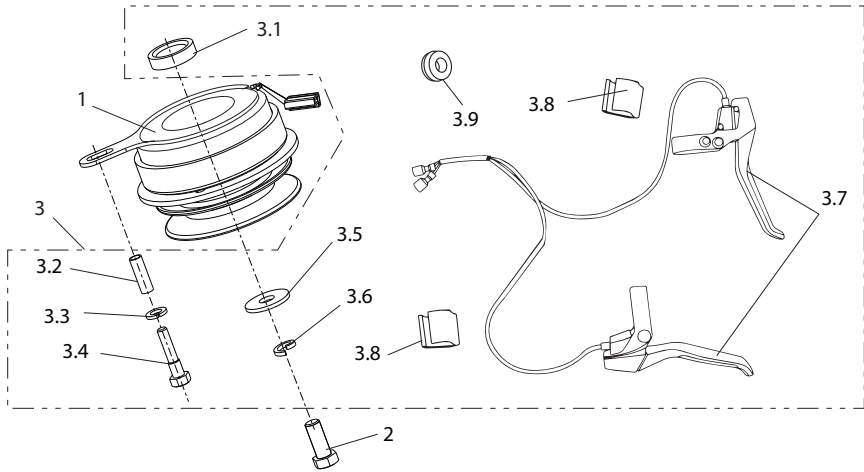
Item	Part No.	Description	Qty
1	W10470	Tee Handle	1
2	W10471	Hex Flanged Bolt - M12x80, Zinc, 8.8	1
3	W10371	Flat Washer - M12, Zinc	1
4	W10472	Nylock Nut - M12, Zinc	1
5	W4110	Throttle Cable, Bracket, & Lever - 53 in	1
6	W10474	Machine Screw - PPH M5x16, Zinc	2
7	W10475	Ergonomic Grip Assembly	2
7.1	W10476	Grip Clamp	2
7.2	W10477	Ergonomic Grip	1
7.3	W10478	Socket Hed Cap Screw - M3x12, Zinc, 8.8	2
8	W10552	Knob - Tee Handle Adjustment	1

Electrical Components



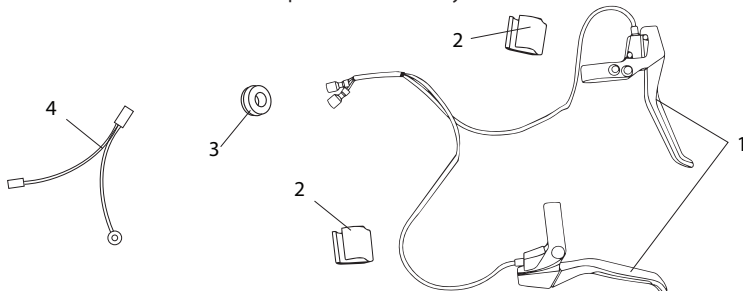
Item	Part No.	Description	Qty
1	W10479	Tach Hour Meter	1
2	W10480	Key Switch - Incl 2 Keys & Hardware	1
3	W10481	Battery - Li-Ion 12V	1
4	W10482	Wire Harness	1
5	W10483	Self Tapping Screw - ST3x6	4
6	W10484	Circuit Board	1
7	W10485	Hex Flange Bolt - M6x12, Zinc	4
8	W10486	Electronic Box & Cover	1
9	W10487	Wire Grommet	1
10	W10488	Fuse Holder	3
11	W10489	Self Tapping Screw - ST4x10	3
12	W10490	Glass Fuse - 3A, 5x20	1
13	W10491	Glass Fuse - 6A, 5x20	2

Clutch System



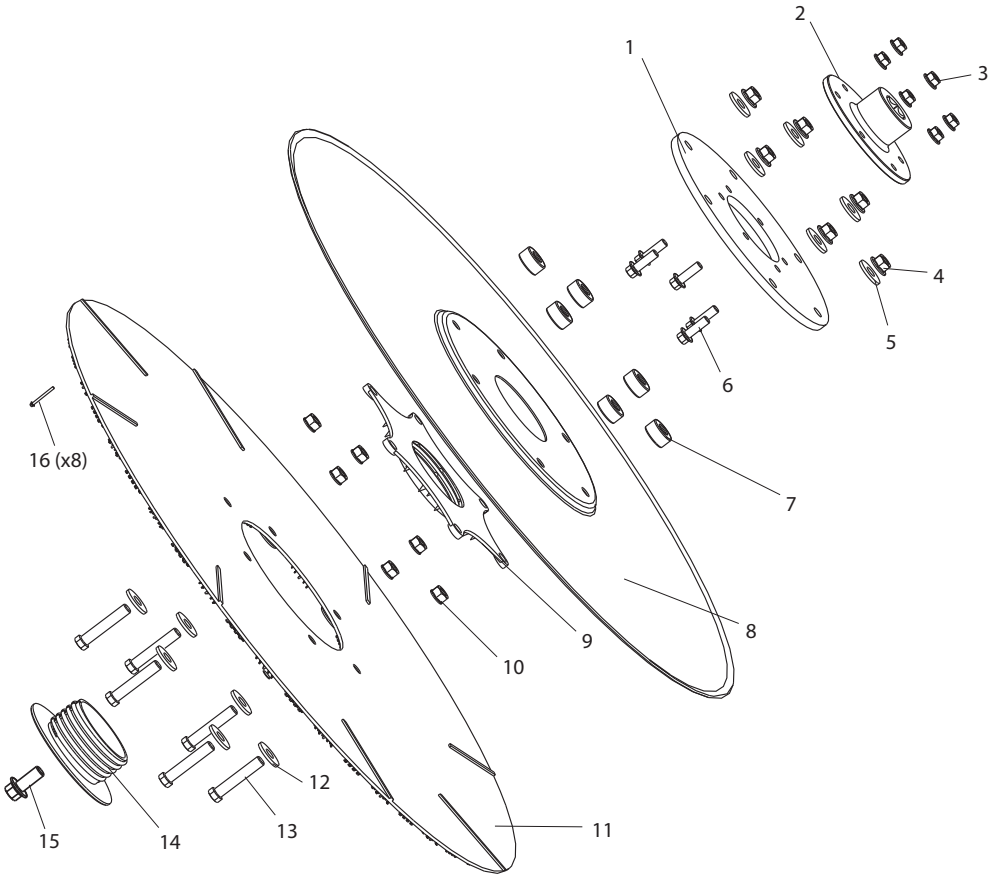
Item	Part No.	Description	Qty
1	W1210	CVX Electric Clutch CCW 12V w/ 4" Pulley	1
2	F17159	Bolt - HCS 7/16-20 X 1.5 Z5	1
3	W50010	Clutch Component Assembly	1
3.1	W10493	Clutch Upper Spacer	1
3.2	W10494	Sleeve - Clutch Arm Support Bolt	1
3.3	W10495	Split Lock Washer - M10, Zinc	1
3.4	W10496	Bolt - Clutch Arm Support	1
3.5	W10415	Flat Washer - M13, Zinc	1
3.6	W10372	Split Lock Washer - M12, Zinc	1
3.7	W10497	Clutch Handle Set - Incl L+R+Wiring	1
3.8	W10498	Wire Clip	2
3.9	W10499	Rubber Grommet - 18 mm hole	1

Operator Presence System



Item	Part No.	Description	Qty
1	W10497	Clutch Handle Set - Incl L+R+Wiring	1
2	W10498	Wire Clip	2
3	W10499	Rubber Grommet - 18 mm hole	1
4	W10528	Wiring Harness - Operator Presence System	1

Metal Pad Driver



Item	Part No.	Description	Qty
1	W10425	Flex Plate	1
2	W10655	Shaft Coupler Hub - Hex Hole, Bolt Lock	1
3	W10384	Nylock Nut - M8, Zinc	6
4	W10367	Nylock Nut - M10, Zinc	6
5	W10427	Flat Washer - M10, Zinc	6
6	W10428	Hex Flanged Bolt - M8x25, Zinc	6
7	W10429	Spacer - Flex Plate	6
8	W5227	27 METAL SPUN DISK	1
9	W10431	Pad Holder - Female Housing	1
10	W10367	Nylock Nut - M10, Zinc	6
11	W10433	Pad Gripper Surface - 27"	1
12	W10427	Flat Washer - M10, Zinc	6
13	W10436	Bolt - HHCS M10x55, Short Head, Zinc, Gr 8.8	6
14	W10437	Pad Holder - Male Threaded Flange	1
15	W10656	Bolt - HHCS Combo, M12x25, Zinc, 8.8	1
16	F0162923	Rivet 3/16 BLACK. Steel	8

"A" Class Service Parts - High Demand	
Part No.	Description
WBX51	51" Coqged Belt
W10549	Dust Bag - 4 Pack
W10409	Bonnet Filter
K11013-0752	Air Filter - FS481V (603CC)
K49065-7007	Oil Filter - FS481V (603CC)
W10656	Bolt - HHCS Combo, M12x25, Zinc, 8.8
W10547	Dust Seal - Shroud (cut to fit)
W10539	Cap - Dust Chute
W10552	Knob - Tee Handle Adjustment
W4110	Throttle Cable, Bracket, & Lever - 53 in
W10482	Wire Harness
W10490	Glass Fuse - 3A, 5x20
W10491	Glass Fuse - 6A, 5x20
"B" Class Service Parts - Medium Demand	
Part No.	Description
W10666	Pad Driver Asm - 27" w/ Hex Hub
W10667	Pad Driver Asm - 24" w/ Hex Hub
W10668	Pad Driver Asm - 21" w/ Hex Hub
W10433	Pad Gripper Surface - 27"
W10434	Pad Gripper Surface - 24"
W10435	Pad Gripper Surface - 21"
W10518	Shroud Asm - 27"
W10522	Shroud Asm - 24"
W10521	Shroud Asm - 21"
W2502	Propane Cylinder - 20 lb, RH Thread
W10658	Front End Asm
W10366	Vibration Isolating Spacer - 3/8-16 x M10
W10517	Rotary Tensioner Assembly
W0091A	Emissions Monitor
W2803	O2 Oxygen Sensor
PT-10302	Washer - Rubber Coated
W10388	Muffler Assembly
W10402	High Pressure Hose Assembly - 12 in
W10405	Inline Propane Filter - 10 Micron
PT-10229	Carb/Regulator - 603 Body, Spring, Linkage
PT-W1325	Oil Pressure Switch
PT-W2608	Lockoff - 12V Solenoid
K11060-7016	EXHAUST GASKET 603CC 18HP
PT-W1305	Starter Solenoid - 12V
W10410	Support Bracket - Bonnet Filter
K11011-0787	Cover - Air Filter, FS481V (603CC)
K11008-7050A	Cylinder Head Kit #1 (Operator Right) FS481V 603CC
K11008-7051A	Cylinder Head Kit #2 (Operator Left) FS481V 603CC
K14075-0037	Oil Dipstick - FS481V (603CC)
K21163-0749	12V Starter - FS481V (603CC)
W10379	Wheel - 6", Rubber, Smooth, Incl Bearings
W10378	Hairpin - 57mm Length
W10380	Wheel Axle
W10385	Rear Caster - 3 in.
W10386	Pad - Propane Tank Bottom Support
W10413	Key - 1/4 x 1/4 x 20mm
W10414	Engine Pulley - 4 in.
W10416	Set Screw - M6x12
W10417	Bearing Cover
W10419	Bearing - 6206-2RZ, 30x62x16 mm
W10422	Key - 1/4 x 1/4 x 28mm
W10425	Flex Plate
W10437	Pad Holder - Male Threaded Flange
W10538	Dust Chute
W10455	Tank Strap
W10465	Clamp Mechanism
W10466	Hairpin
W10475	Ergonomic Grip Assembly
W10479	Tach Hour Meter
W10480	Key Switch - Incl 2 Keys & Hardware
W10481	Battery - Li-Ion 12V
W10484	Circuit Board

Labels & Literature



Item	Part No.	Description	Qty
1	W10500	Label - Operating Instruction	1
2	W10501	Label - Keyswitch	1
3	W10502	Label - Throttle	1
4	W10503	Label - Warning, Hot & Moving Parts	1
5	W10504	Label - Danger, Propane Safety	1
6	W10505	Label - Engine Shroud Front	1
7	W10506	Label - Engine Shroud Side	1
8	W10507	3D Label - JX Brand	1
9	W10583	3D Label - SX Brand	1
10	W10508	Label - ONYX Bubble	1
11	W10509	Serial Plate - ONYX Brand	1
12	W10510	Label - LX605 Brand	1
13	W10511	Label - LX600 Brand	1
14	W10512	Label - Emissions Certification 603L1	1
15	W10513	Label - ONYX Oval Nameplate	1
16	W10551	Literature Kit - Propane Floor Machine	1

ONYX

DESIGNED TO SHINE 

Parts & Service:

Online: www.OnyxSolutions.com

Email: onyxsales@golehr.com

Call: 704-827-9368

ONYX
7781 South Little Egypt Rd
Stanley, NC 28164
USA